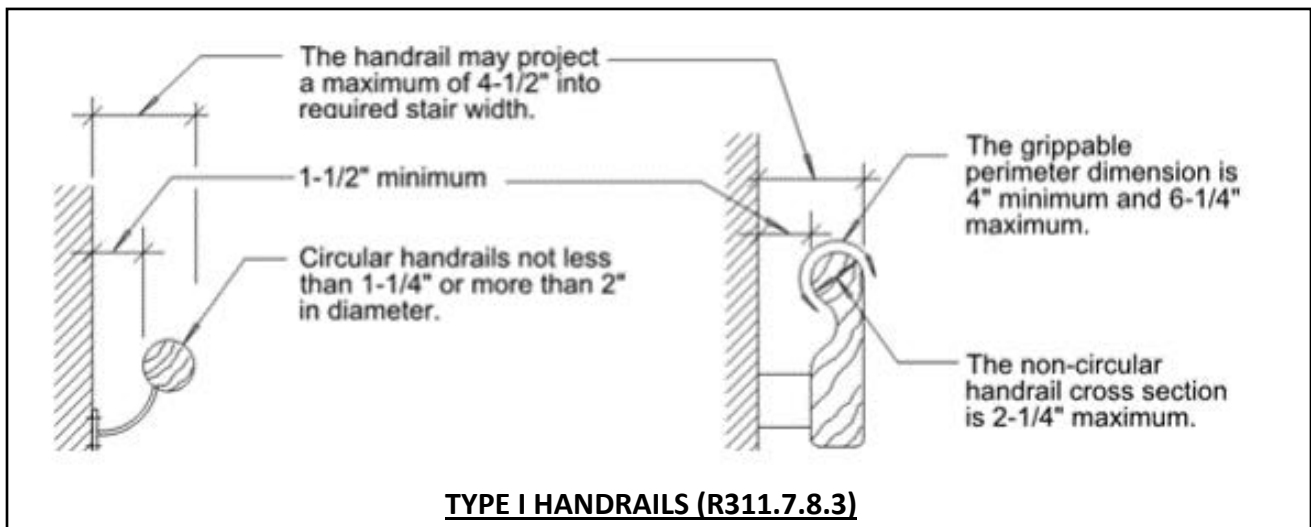
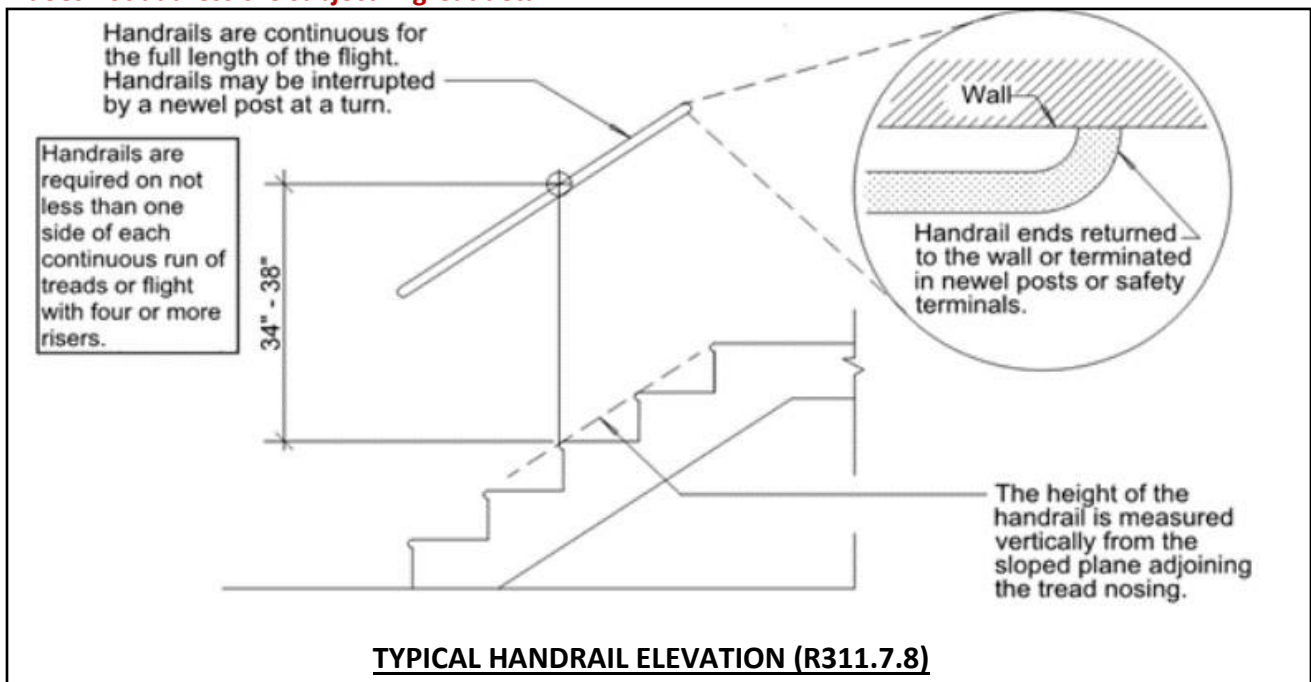
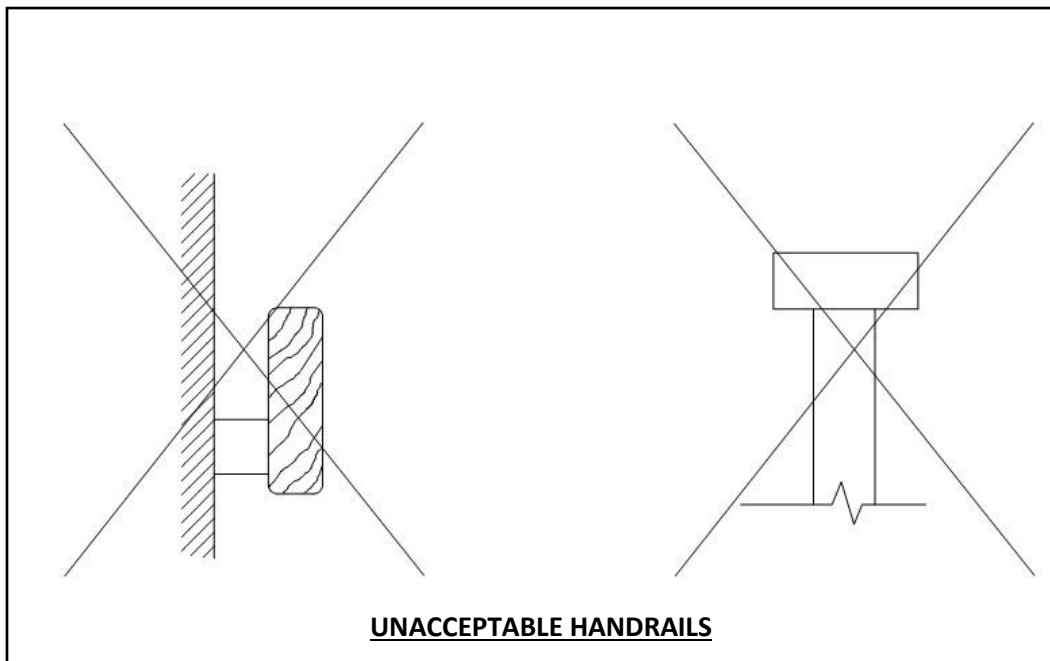
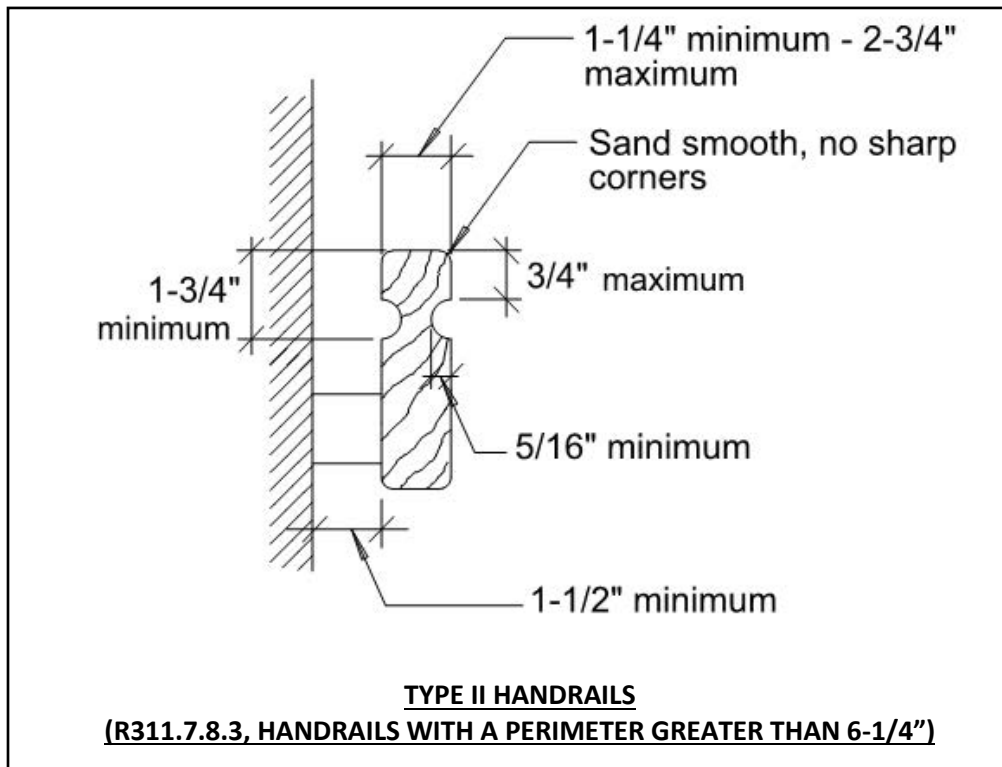


CONSTRUCTION TIP SHEET: RESIDENTIAL HANDRAILS

This Tip Sheet reflects code requirements of the Maine Uniform Building and Energy Code (MUBEC)
Note- The intent of this Tip Sheet is to provide a general understanding of the code requirements and does not address the subject in great detail.





****IMPORTANT DETAIL: Guardrails and handrails are two separate components, which have different requirements. Please check both tip sheets for corresponding requirements. "Residential Guards" and "Residential Handrails".**